

Rider 18 ProFlex (USA)

Spare parts

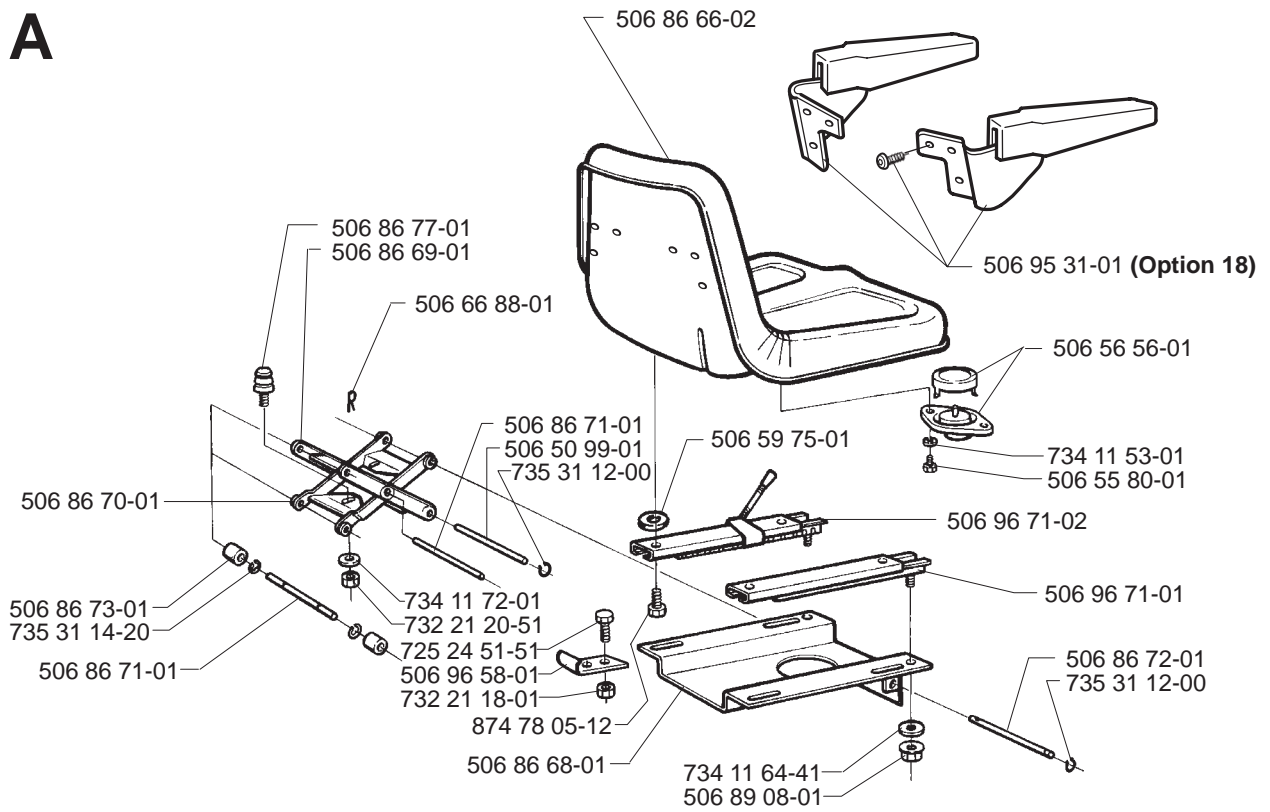
Ersatzteile

Pièces détachées

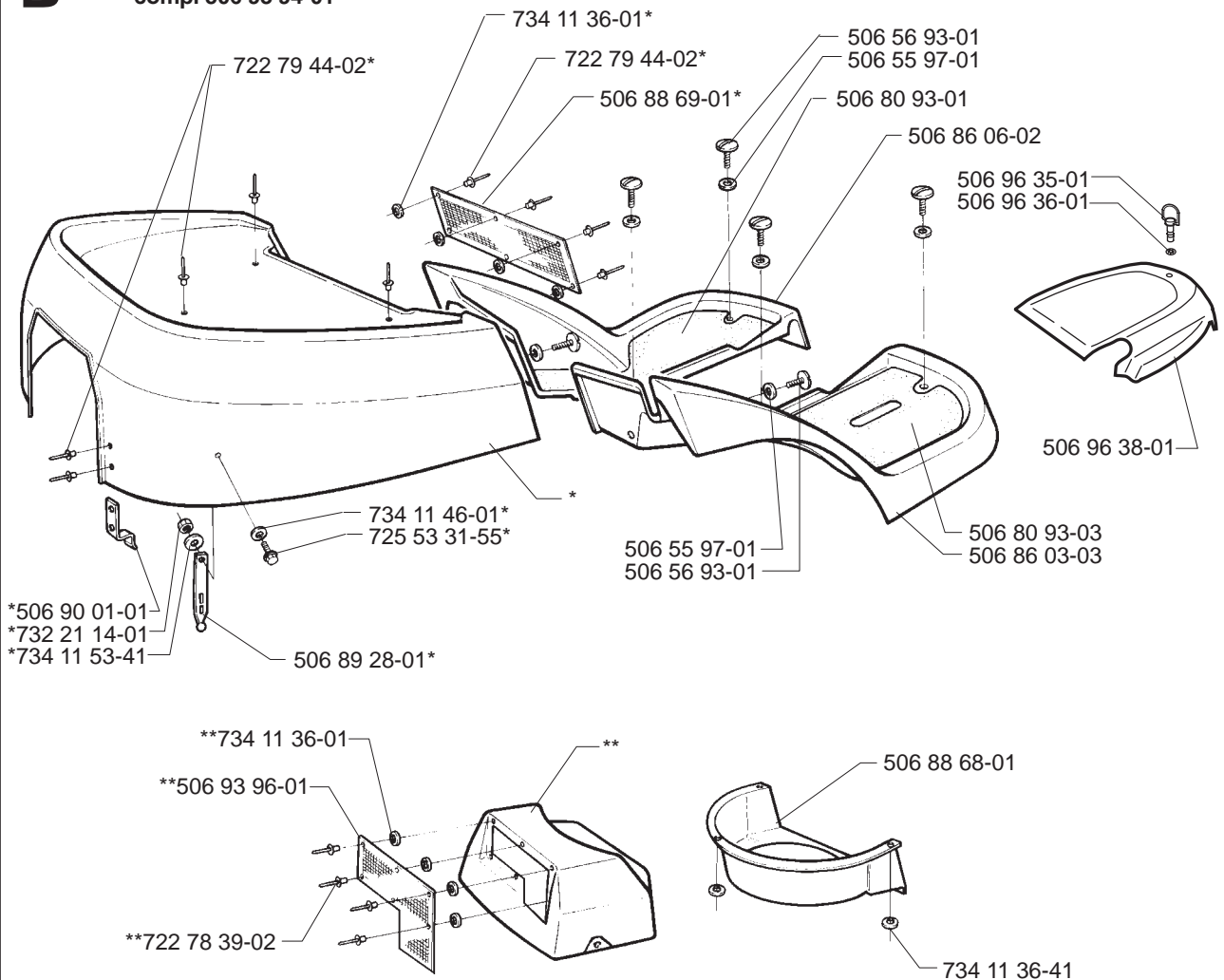
Reserve onderdelen

Repuestos

Reservdelar

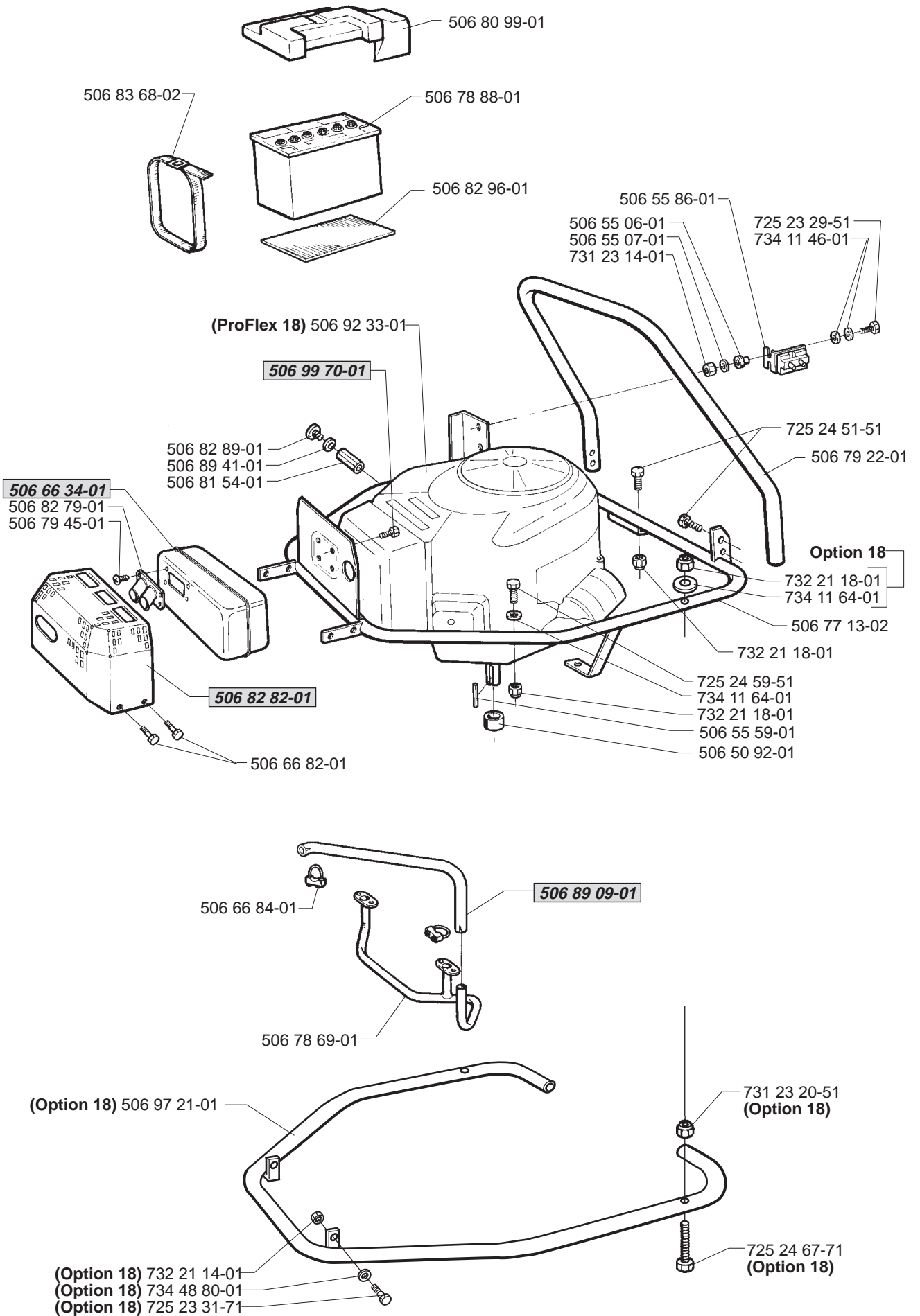
A**B**

*compl 506 88 67-01
 ** compl 506 93 94-01

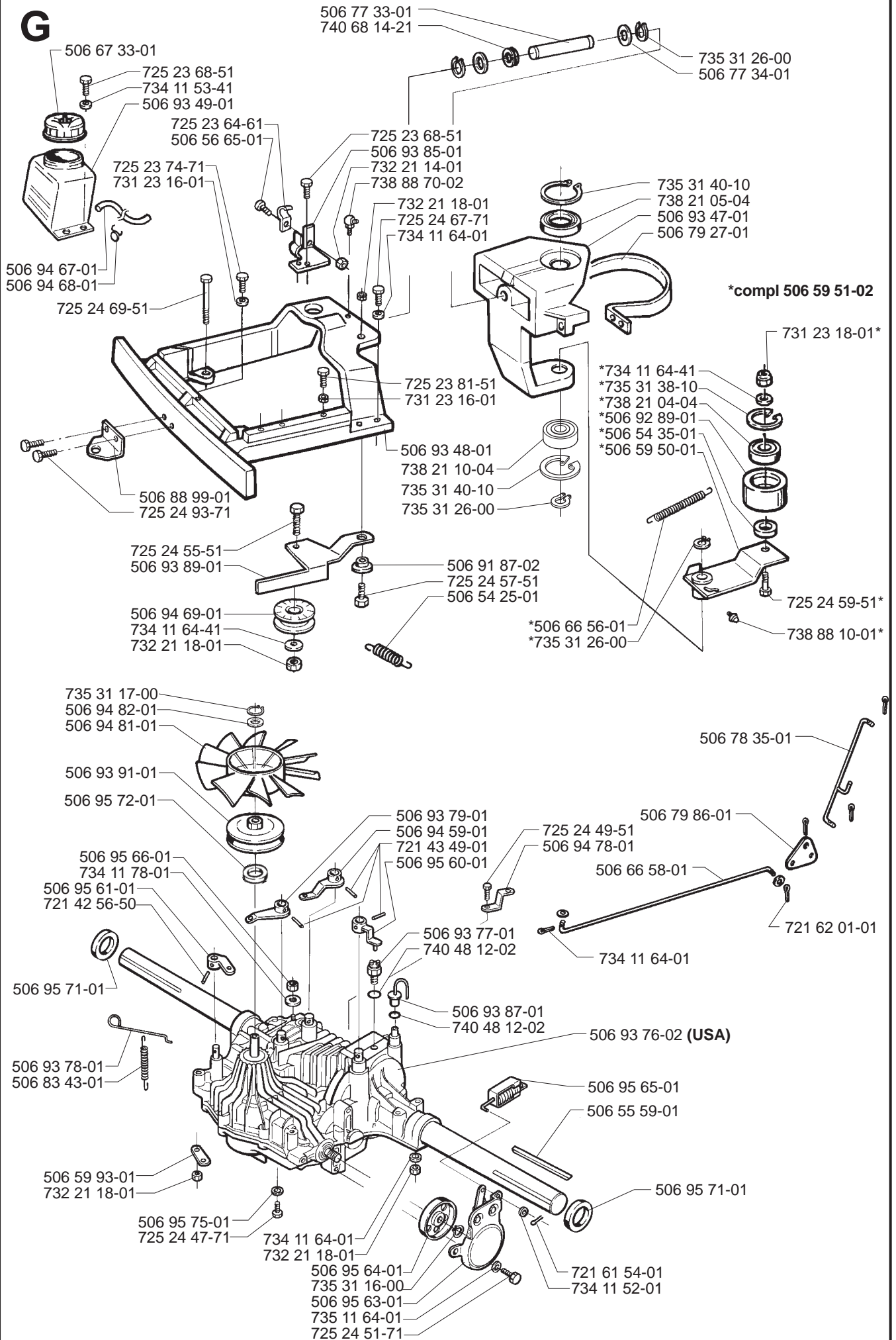


xxx xx xx-xx = New part

D

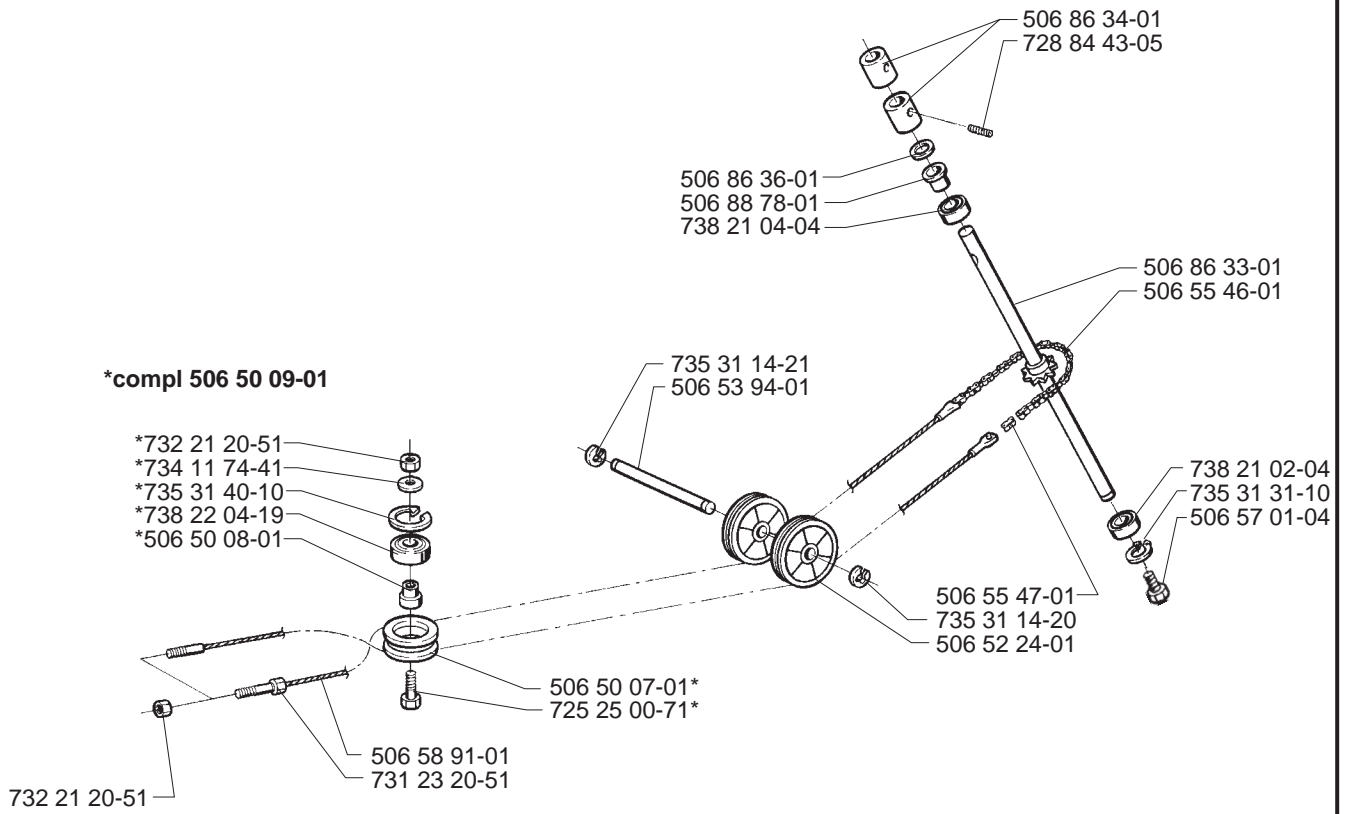


XXX XX XX-XX = New part

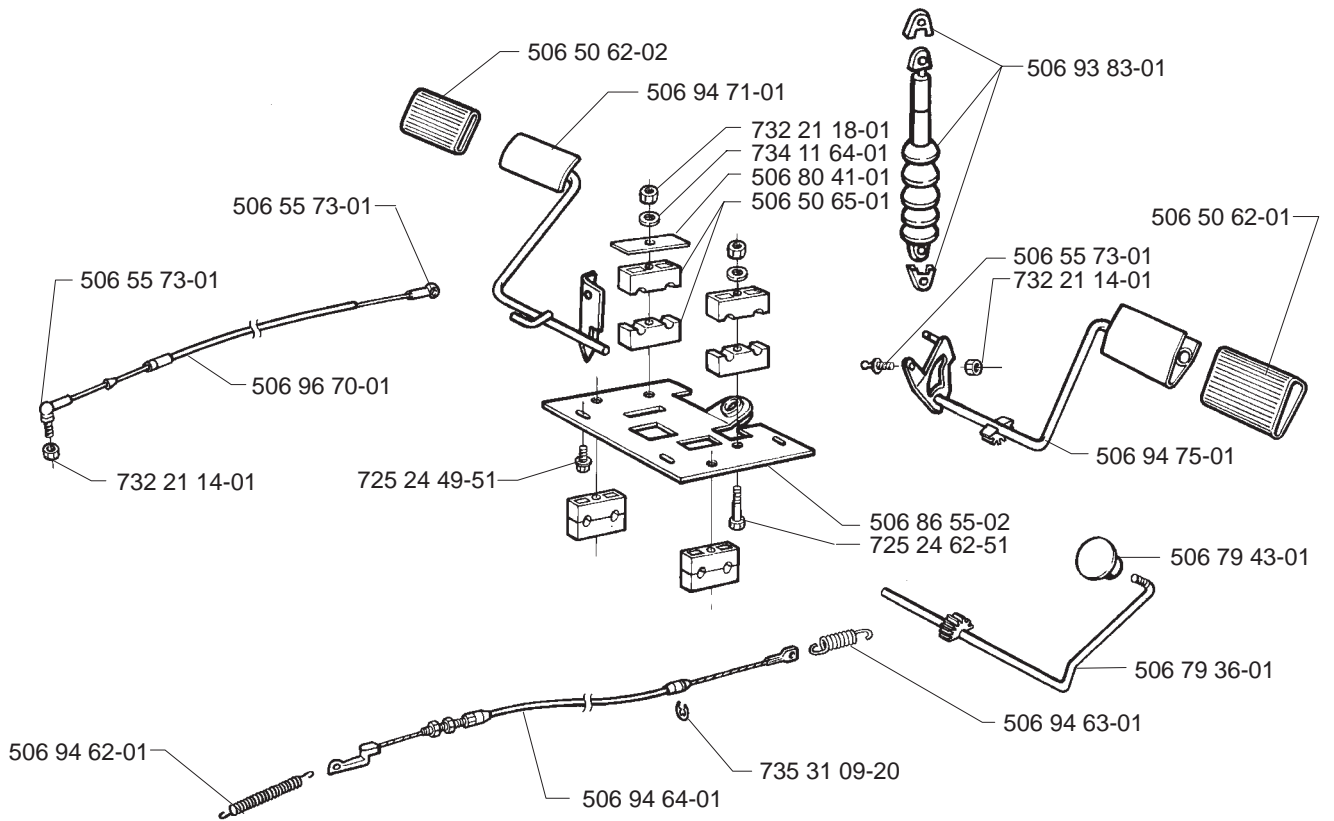
G

xxx xx xx-xx = New part, Neues teil, Nouvelle piece, Nueva pieza, Ny detalj

F

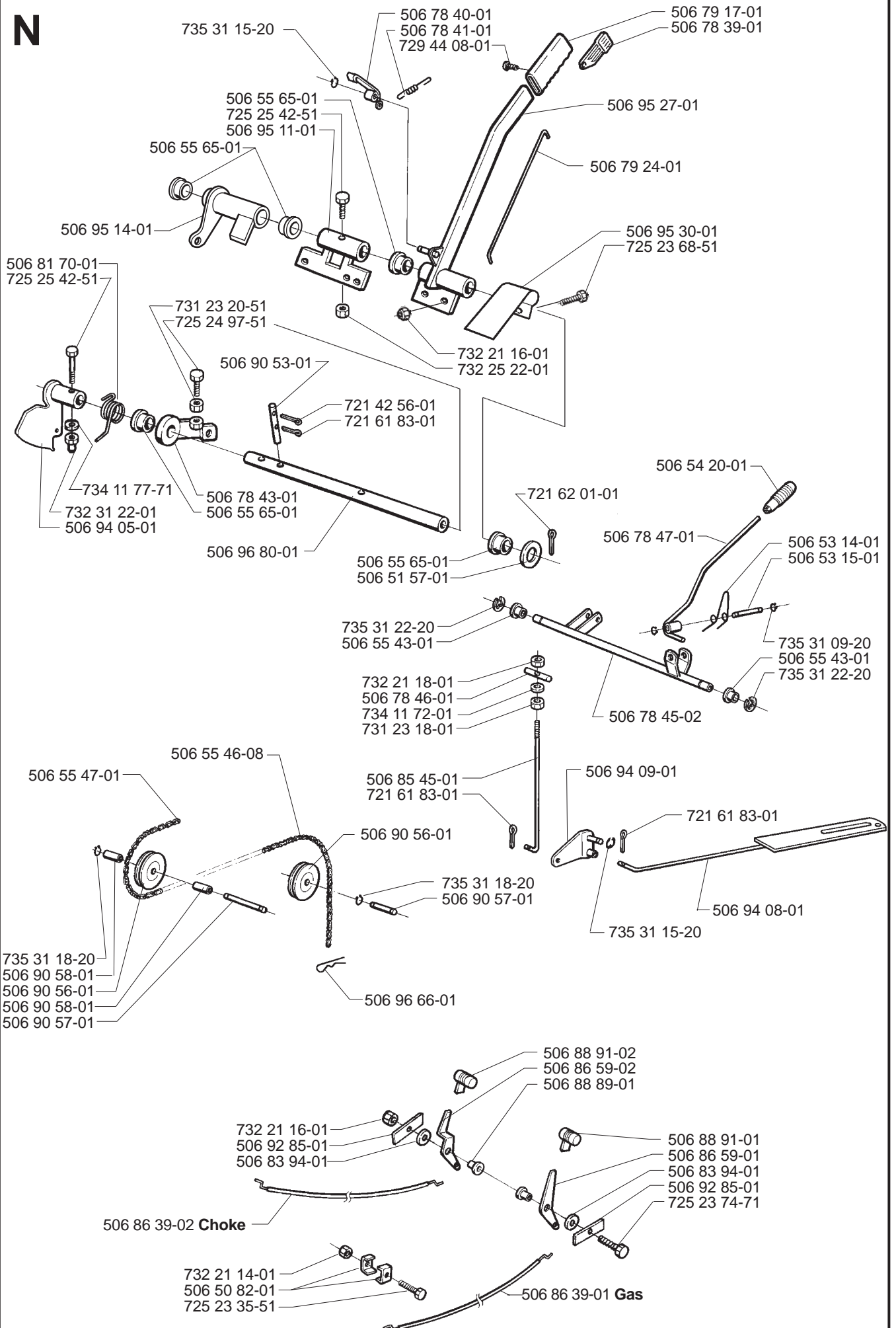


H



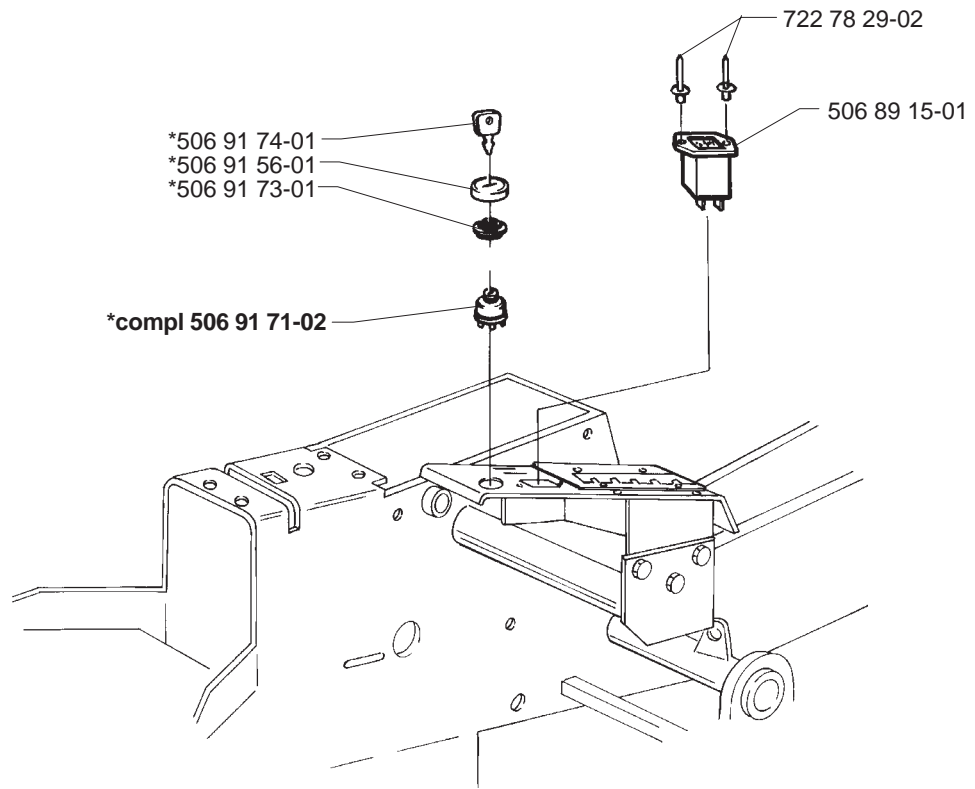
xxx xx xx-xx = New part

N



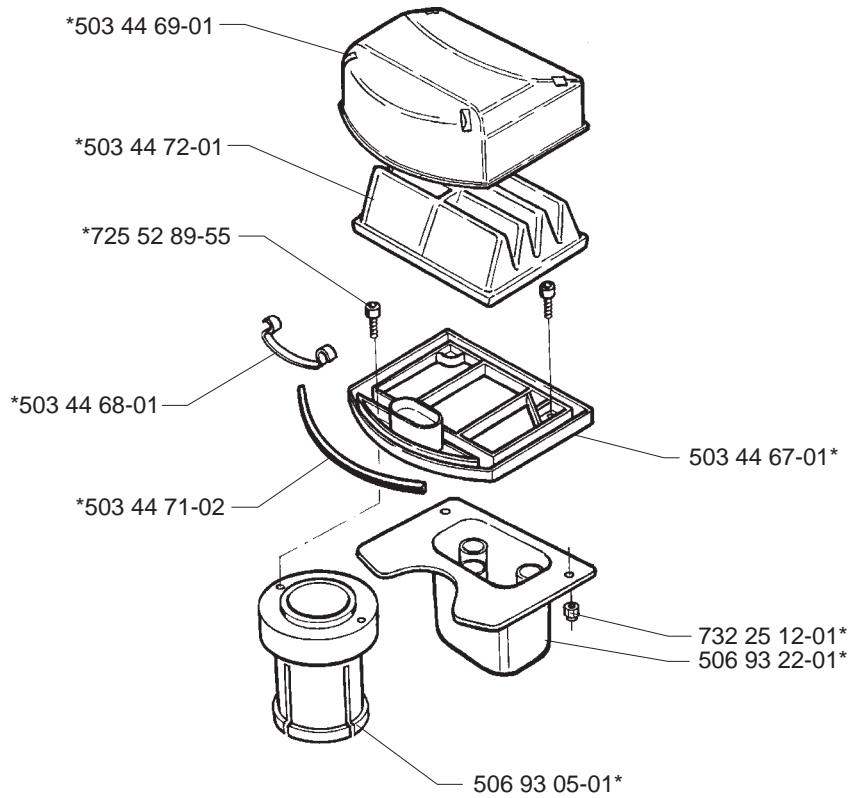
xxx xx xx-xx = New part, Neues teil, Nouvelle piece, Nueva pieza, Ny detalj

C



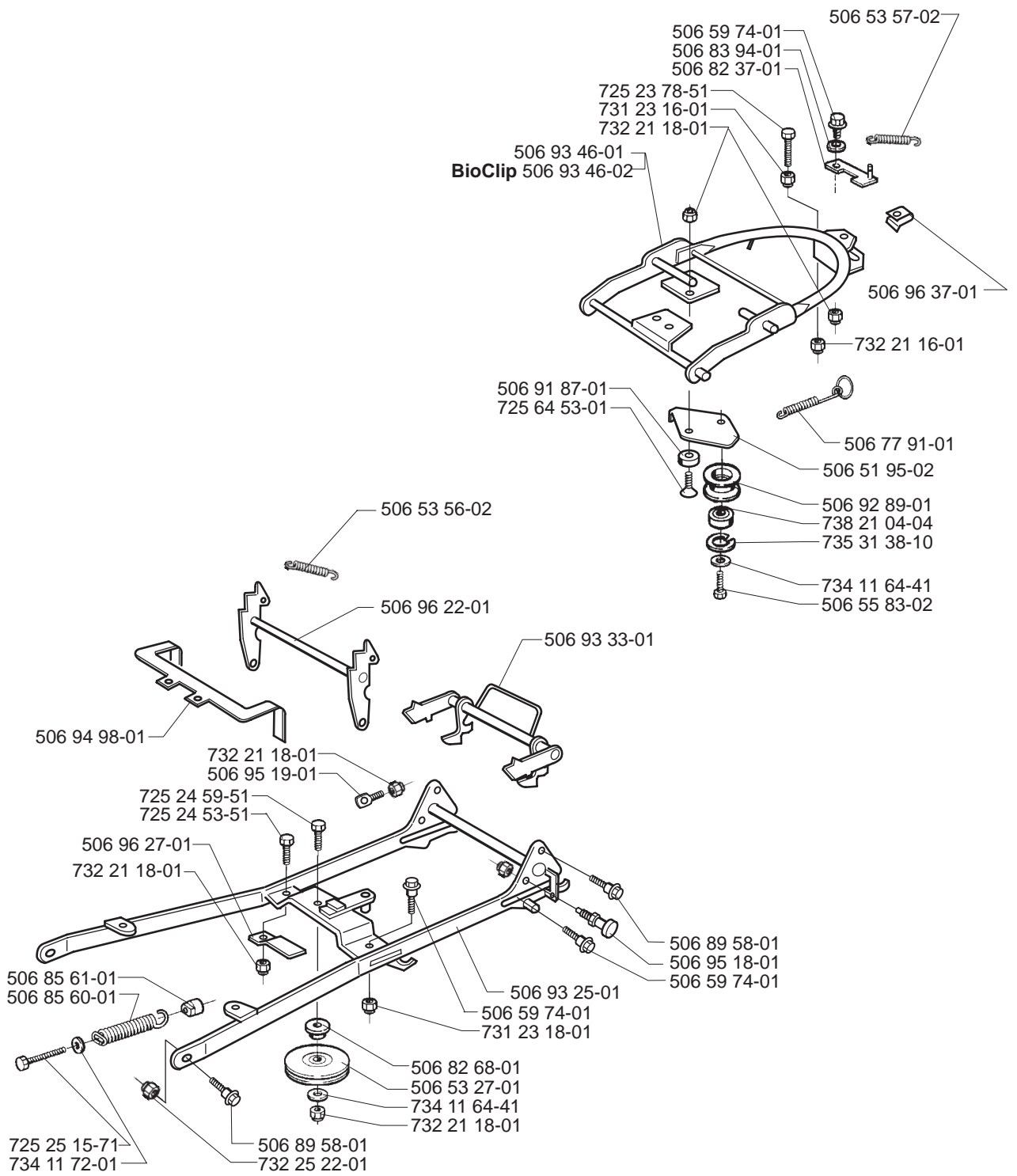
R

*compl 506 93 24-01

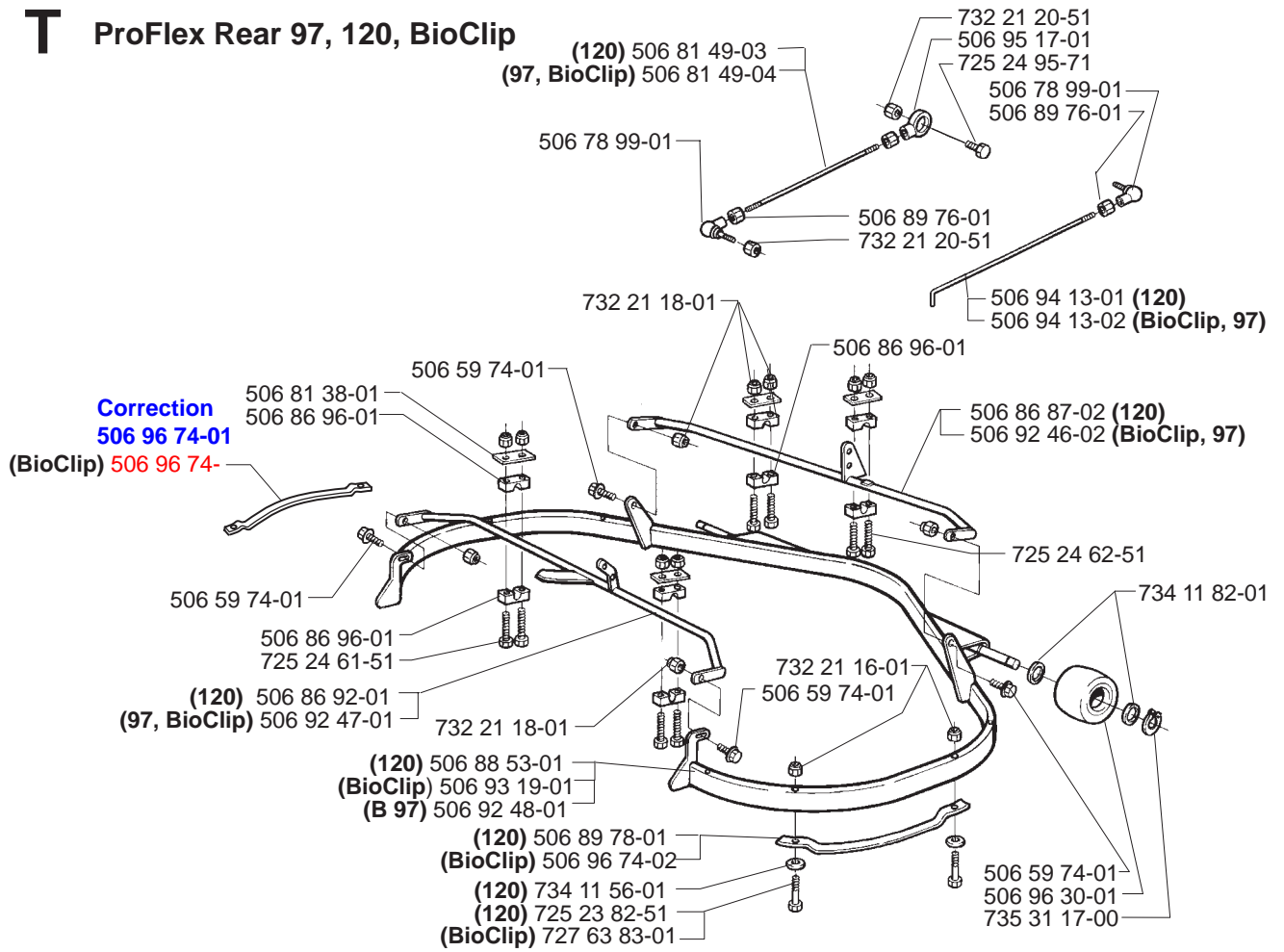


xxx xx xx-xx = New part

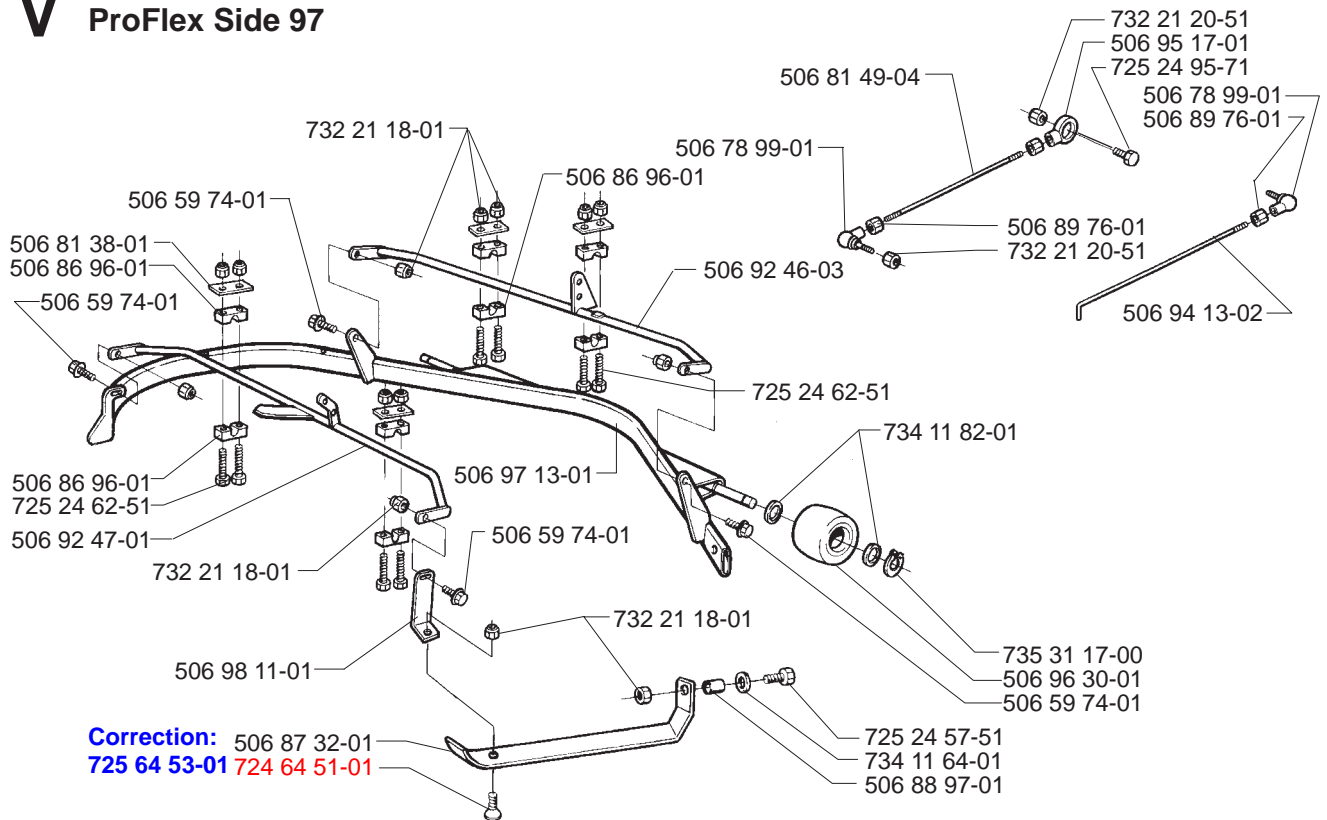
K



T ProFlex Rear 97, 120, BioClip



V ProFlex Side 97

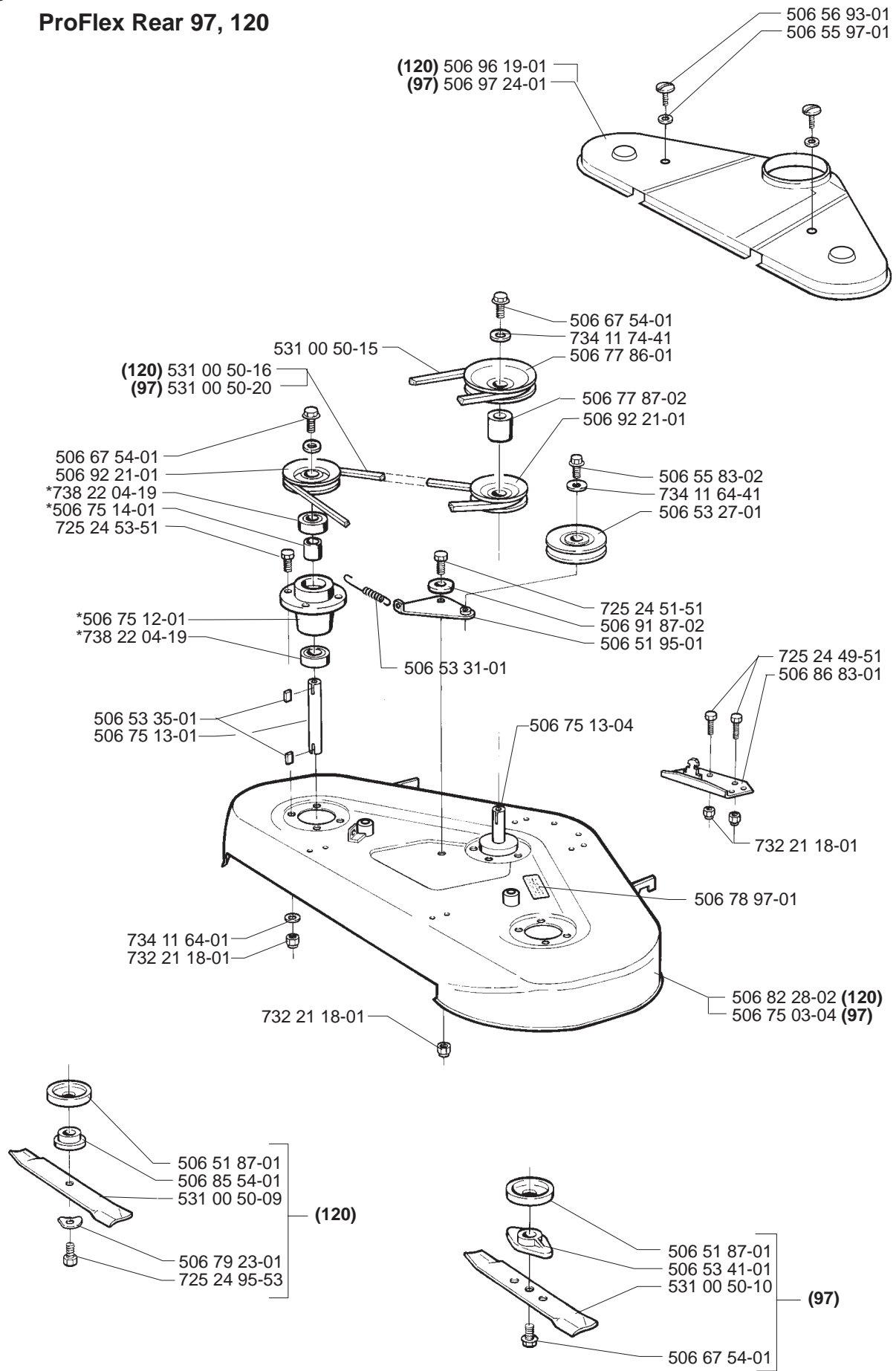


xxx xx xx-xx = New part

J

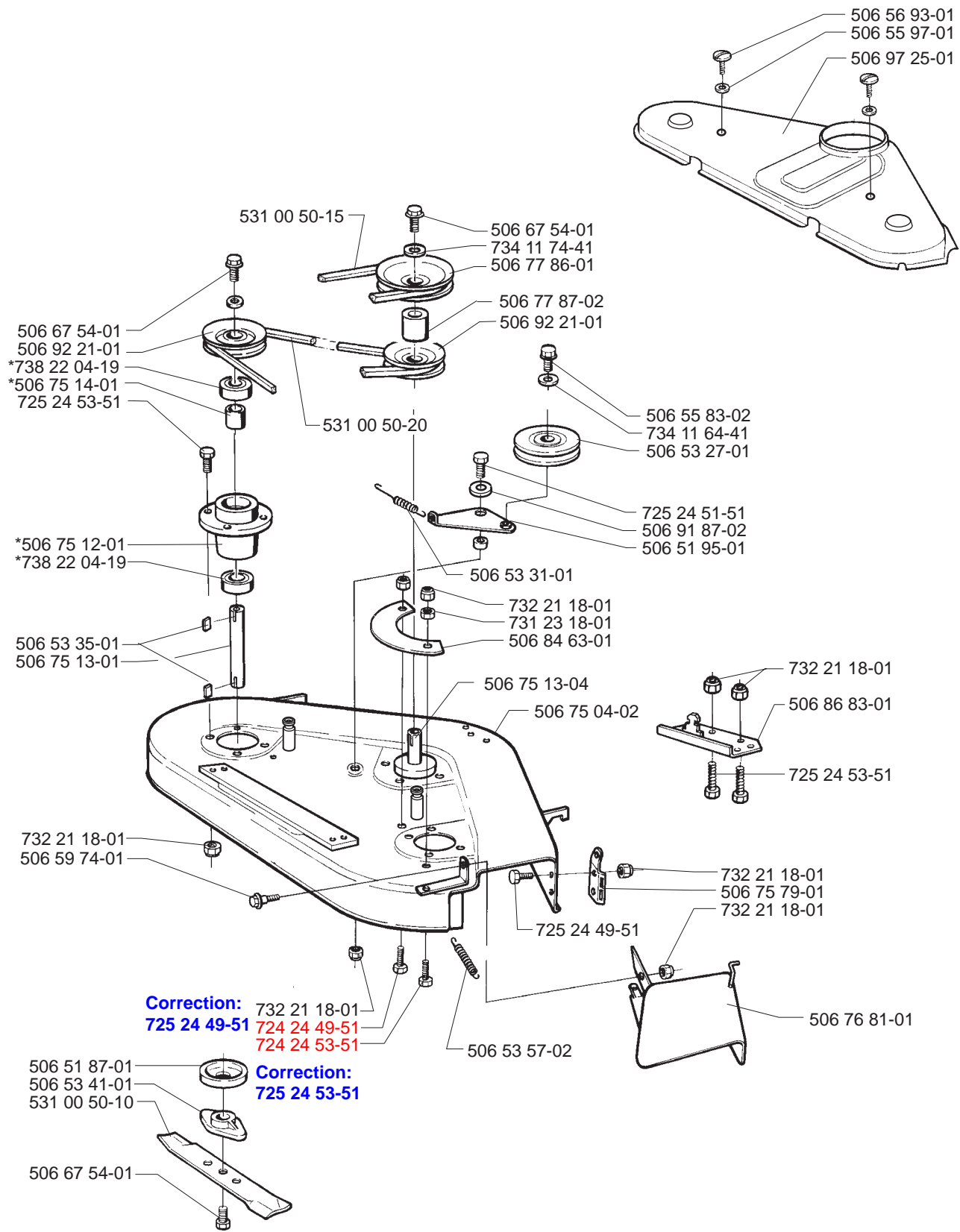
*compl 506 75 11-01 Yttre. Outer. Exterieur. Äusser. Ulko.
 *compl 506 75 11-04 Mitten. Centre. Centre. Zentrum. Keski.

ProFlex Rear 97, 120

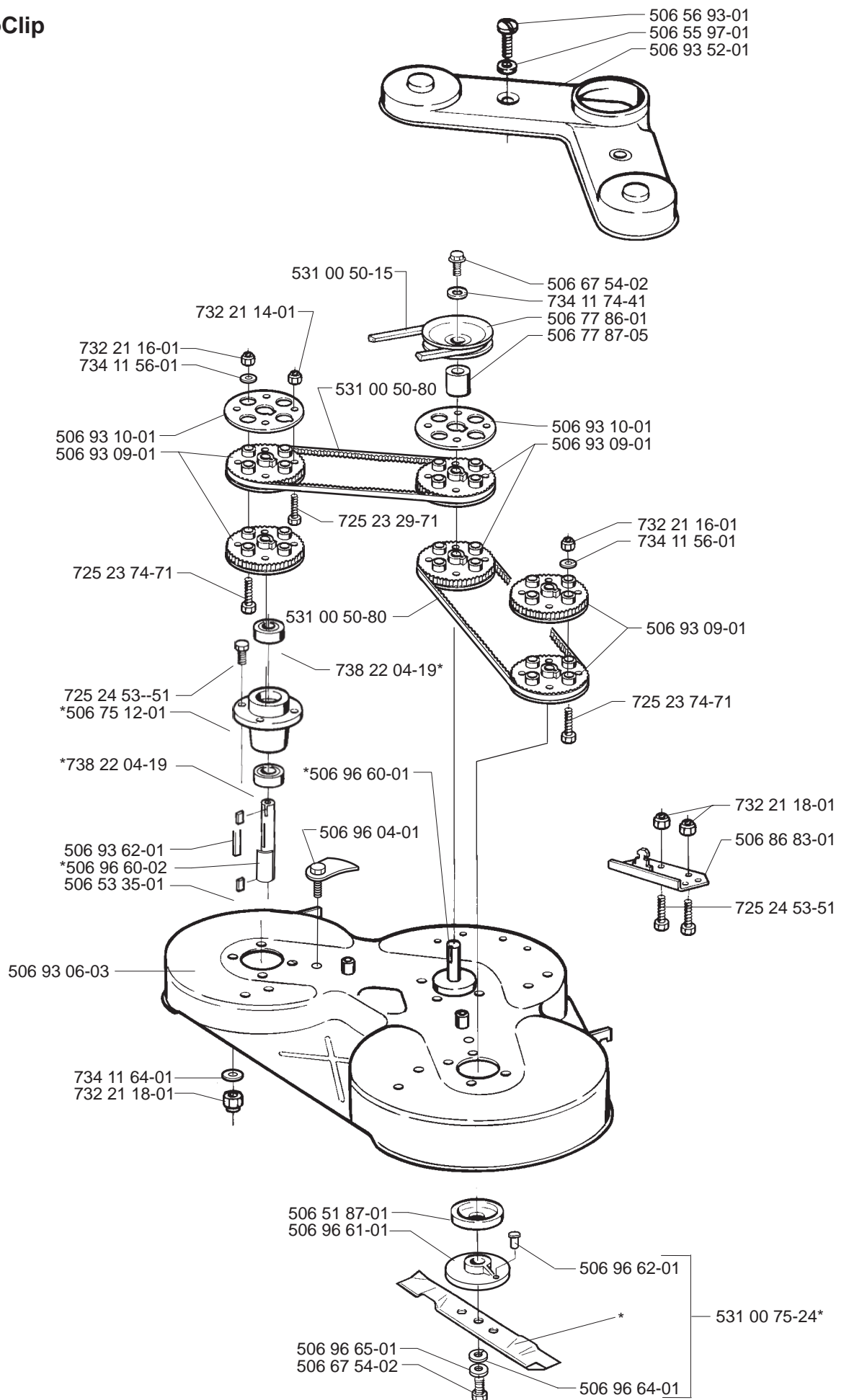


xxx xx xx-xx = New part

U ProFlex Side 97



*compl 506 75 11-01 Yttre. Outer. Exterieur. Äusser. Ulko.
*compl 506 75 11-04 Mitten. Centre. Centre. Zentrum. Keski.

S*compl 506 75 11-07 (a)
*compl 506 75 11-06 (b)**BioClip**(a) = Yttre. Outer. Exterior. Äusser. Ulko.
(b) = Mitten. Center. Centre. Zentrum. Keski.

xxx xx xx-xx = New part